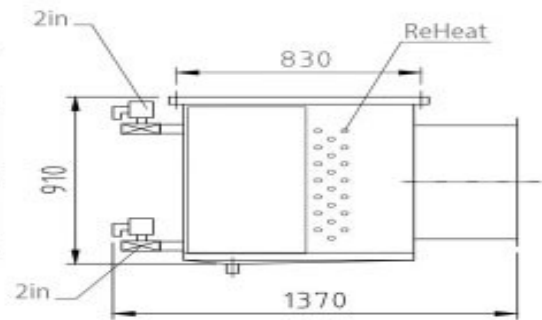
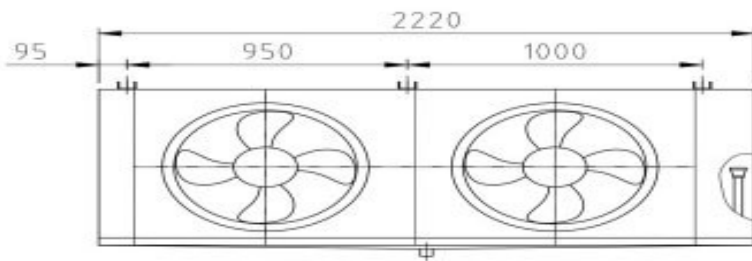




Unit Tag	Qty	Model No	Net Cooling	Nominal Voltage
TCA12TAHURHE	1	TCA12TAHURH	12 (ton)	208-3-60.0

Evaporator Data		Reheat Data		Physical Data	
Surface Area (sqft)	2800.42	Moisture Removal (ppd)	1200.000	Rigging Wt. (lb)	854
LWT (°F)	44.00	Effeciency P/kWH	57.40	Operating Wt. (lb)	860
Fan Data		Testing Conditions		Electrical Data	
Diameter (in)	24	Ambient	80	FLA (amp)	165.8
Qty	2	Humidity (%)	60	MCA (amp)	210.8
Watts	1500				



<https://tricleanair.com/techsheets/>