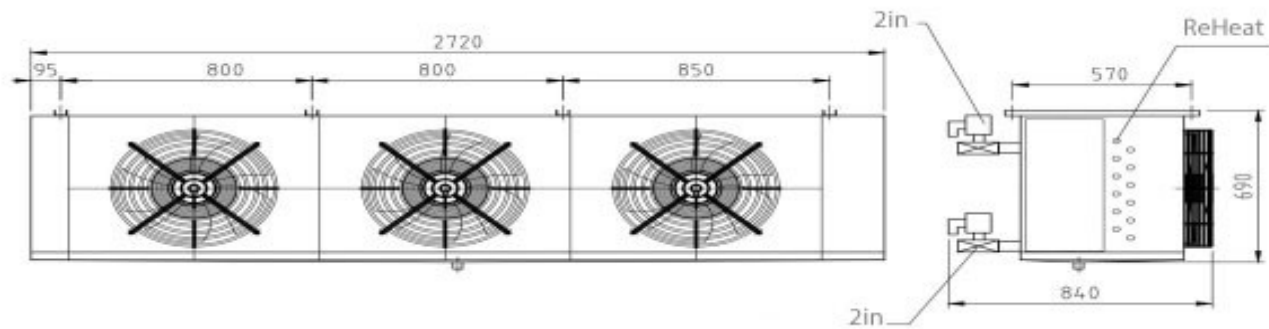




Unit Tag	Qty	Model No	Net Cooling	Nominal Voltage
TCA8TAHURHE	1	TCA8TAHURH	8 (ton)	208-3-60.0

Evaporator Data		Reheat Data		Physical Data	
Surface Area (sqft)	1723.00	Moisture Removal (ppd)	800.000	Rigging Wt. (lb)	504
LWT (°F)	44.00	Effeciency P/kWH	57.40	Operating Wt. (lb)	507
Fan Data		Testing Conditions		Electrical Data	
Diamate (in)	20	Ambient	80	FLA (amp)	6.8
Qty	3	Humidity (%)	60	MCA (amp)	8.5
Watts	460				



<https://tricleanair.com/techsheets/>