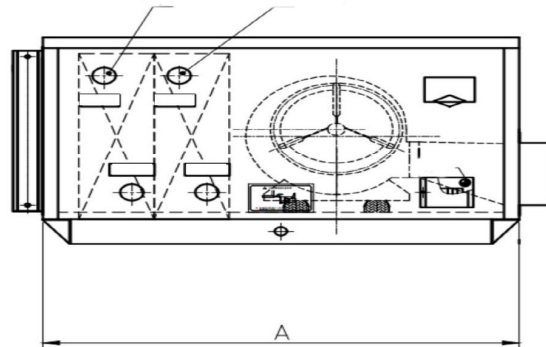
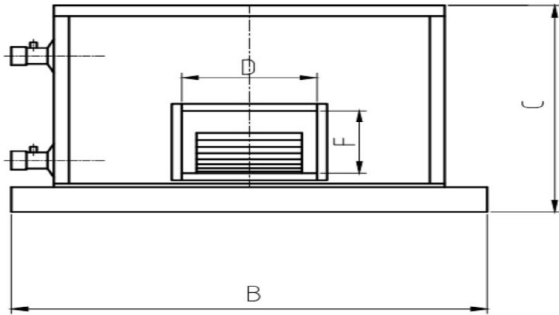




Unit Tag	Qty	Model No	Net Cooling	Nominal Voltage
TCA10TAHURH4603P	1	TCA10TAHURH4603P	10.00	460-3-60

Evaporator Data		Reheat Data		Physical Data		
Surface Area (sq.m)	201.00	Moisture Removal (ppd)	1280.00	Rigging Wt. (lb)	470	
EWT (°F)	44.00	Effieicntcy P/kWH	48.48	Operating Wt. (lb)	483	
Cooling Water Flow (gpm)	26.00	Hot Water Flow (gpm)	20.00	Water Connection (ND)	2	
Fan Data		Testing Conditions		Drain Pipe (ND)	1	
Qty	1	Ambient Temp.	80	Electrical Data		
Watts	1100	Humidity (%)	60	FLA (amp)	2.4	
CFM	3000	A (in)	B (in)	C (in)	MCA (amp)	3
Static Pressure (Pa)	280	50	45	33		

Cooling Coil Heating Coil



<https://tricleanair.com/techsheets/>