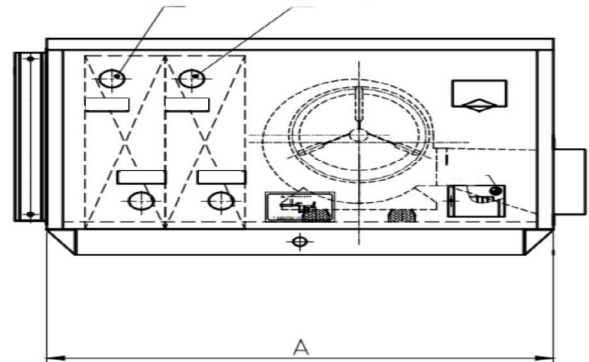
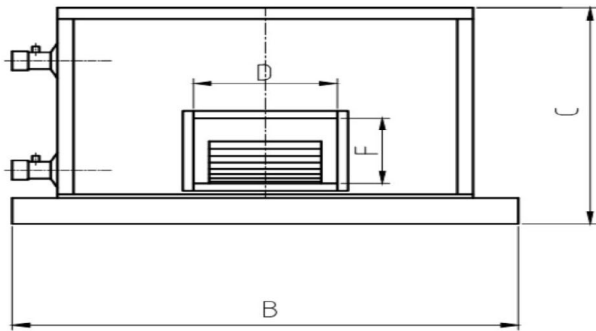




Unit Tag	Qty	Model No	Net Cooling	Nominal Voltage
TCA18TAHURH4603P	1	TCA18TAHURH4603P	18.00	460-3-60

Evaporator Data		Reheat Data			Physical Data	
Surface Area (sq.m)	370.00	Moisture Removal (ppd)	1800.000		Rigging Wt. (lb)	758
EWT (°F)	44.00	Effiecincty P/kWH	57.40		Operating Wt. (lb)	771
Cooling Water Flow (gpm)	52.00	Hot Water Flow (gpm)	37.00		Water Connection (ND)	2
Fan Data		Testing Conditions			Drain Pipe (ND)	
Qty	1	Ambient	80		Electrical Data	
Watts	3000	Humidity (%)	60		FLA (amp)	6.25
CFM	5295	<b>A (in)</b>	<b>B (in)</b>	<b>C (in)</b>	MCA (amp)	7.5
Static Pressure (Pa)	300	57	59	39		

Cooling Coil Heating Coil



<https://tricleanair.com/techsheets/>