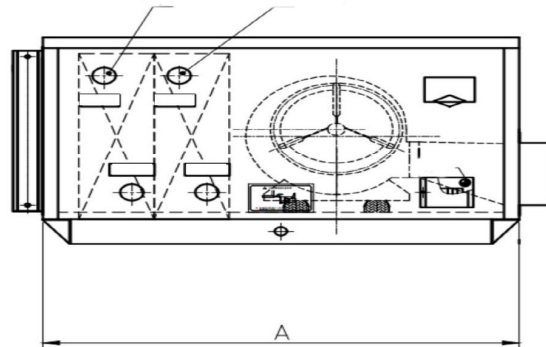
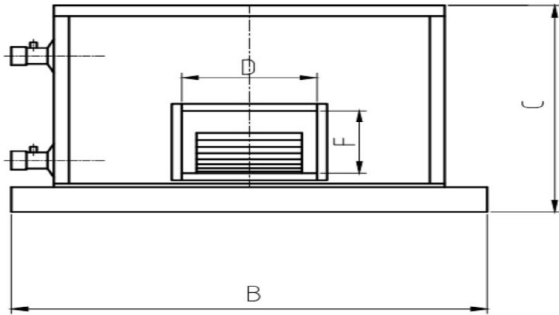




Unit Tag	Qty	Model No	Net Cooling	Nominal Voltage
TCA3TAHURH2401P	1	TCA3TAHURH2401P	3.00	240-1-60

Evaporator Data		Reheat Data		Physical Data		
Surface Area (sq.m)	34.10	Moisture Removal (ppd)	384.00	Rigging Wt. (lb)	190	
EWT (°F)	44.00	Effeciency P/kWH	64.00	Operating Wt. (lb)	195	
Cooling Water Flow (gpm)	4.50	Hot Water Flow (gpm)	3.70	Water Connection (ND)	1.5	
Fan Data		Testing Conditions		Drain Pipe (ND)	1	
Qty	1	Ambient Temp.	80	Electrical Data		
Watts	250	Humidity (%)	60	FLA (amp)	2	
CFM	600	A (in)	B (in)	C (in)	MCA (amp)	3
Static Pressure (Pa)	205	43	31	20		

Cooling Coil Heating Coil



<https://tricleanair.com/techsheets/>