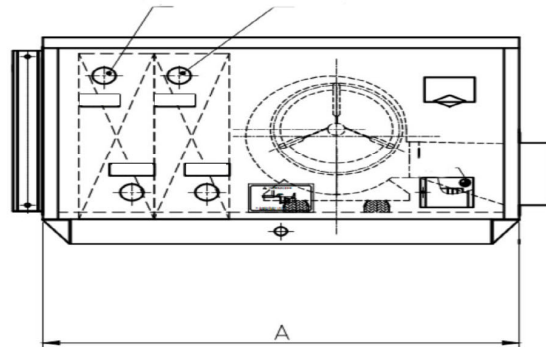
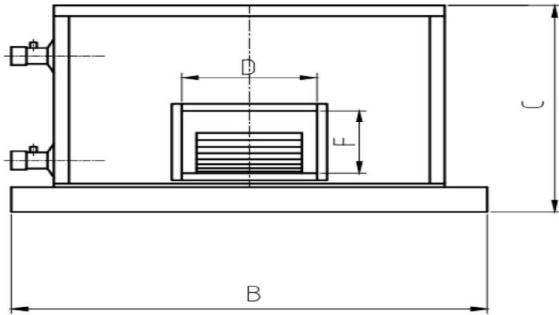




Unit Tag	Qty	Model No	Net Cooling	Nominal Voltage
TCA4TAHURH4603P	1	TCA4TAHURH4603P	4.00	460-3-60

Evaporator Data		Reheat Data		Physical Data		
Surface Area (sq.m)	80.00	Moisture Removal (ppd)	512.00	Rigging Wt. (lb)	267	
EWT (°F)	44.00	Effieicntcy P/kWH	66.67	Operating Wt. (lb)	273	
Cooling Water Flow (gpm)	11.00	Hot Water Flow (gpm)	8.30	Water Connection (ND)	1.5	
Fan Data		Testing Conditions		Drain Pipe (ND)	1	
Qty	1	Ambient Temp.	80	Electrical Data		
Watts	320	Humidity (%)	60	FLA (amp)	0.85	
CFM	1177	A (in)	B (in)	C (in)	MCA (amp)	2
Static Pressure (Pa)	242	44	32	27		

Cooling Coil Heating Coil



<https://tricleanair.com/techsheets/>