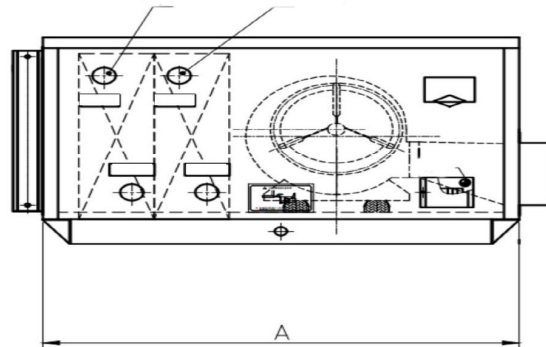
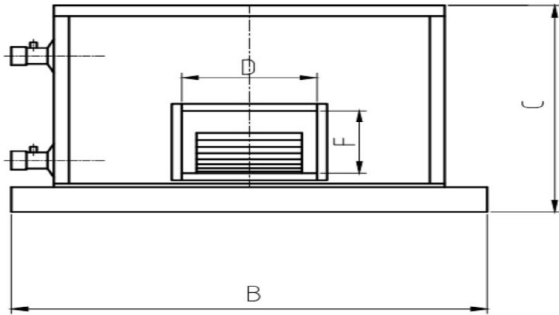




Unit Tag	Qty	Model No	Net Cooling	Nominal Voltage
TCA5TAHURH2403P	1	TCA5TAHURH2403P	5.00	240-3-60

Evaporator Data		Reheat Data		Physical Data		
Surface Area (sq.m)	90.80	Moisture Removal (ppd)	640.00	Rigging Wt. (lb)	276	
EWT (°F)	44.00	Effeciency P/kWH	72.07	Operating Wt. (lb)	283	
Cooling Water Flow (gpm)	12.10	Hot Water Flow (gpm)	9.20	Water Connection (ND)	1.5	
Fan Data		Testing Conditions		Drain Pipe (ND)	1	
Qty	1	Ambient Temp.	80	Electrical Data		
Watts	370	Humidity (%)	60	FLA (amp)	1.7	
CFM	2000	A (in)	B (in)	C (in)	MCA (amp)	3
Static Pressure (Pa)	242	43	37	22		

Cooling Coil Heating Coil



<https://tricleanair.com/techsheets/>