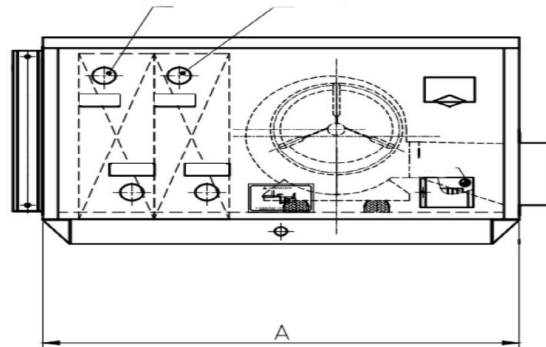
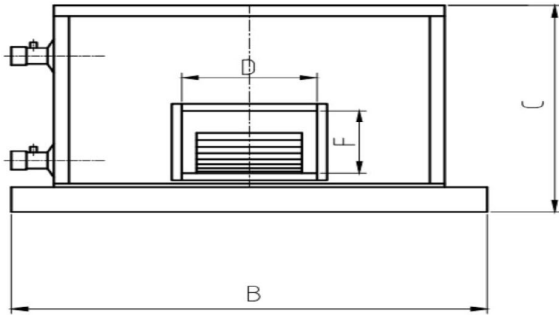




| Unit Tag | Qty | Model No | Net Cooling | Nominal Voltage |
|-----------------|-----|-----------------|-------------|-----------------|
| TCA5TAHURH4603P | 1 | TCA5TAHURH4603P | 5.00 | 460-3-60 |

| Evaporator Data | | Reheat Data | | Physical Data | | |
|--------------------------|--------|------------------------|---------------|-----------------------|-----------|---|
| Surface Area (sq.m) | 110.00 | Moisture Removal (ppd) | 640.00 | Rigging Wt. (lb) | 330 | |
| EWT (°F) | 44.00 | Effeciency P/kWH | 33.40 | Operating Wt. (lb) | 337 | |
| Cooling Water Flow (gpm) | 14.00 | Hot Water Flow (gpm) | 11.00 | Water Connection (ND) | 1.5 | |
| Fan Data | | Testing Conditions | | Drain Pipe (ND) | 1 | |
| Qty | 1 | Ambient Temp. | 80 | Electrical Data | | |
| Watts | 800 | Humidity (%) | 60 | FLA (amp) | 1.7 | |
| CFM | 1765 | A (in) | B (in) | C (in) | MCA (amp) | 3 |
| Static Pressure (Pa) | 265 | 44 | 38 | 29 | | |

Cooling Coil Heating Coil



<https://tricleanair.com/techsheets/>