



**7500GPD
RUNOFF
Water System
Manual**

Operation Instruction Catalogue

1.Brief Introduction.....	3
2.Main Technology Parameters.....	3
3.Process Flow Chart.....	3
4.Equipment location.....	3-4
5.Equipment installation.....	4
6.Preparation before startup.....	5
6.1 Pipeline and electric control connection.....	5
6.2 Pipeline Cleaning.....	5
6.3 Filter tank Cleaning.....	5
6.4 Antiscalant dosing system.....	6
6.5 Reductant dosing system.....	6
7.RO System Manual Operation.....	6
7.1.Preparation before system startup.....	6
7.2 RO System Manual Operation.....	7
7.3 RO System Manual Shutdown.....	7
7.4 RO Shutdown for Flushing.....	8
8.RO System Auto Operation.....	8
8.1Preparation before automatic startup.....	8
8.2 RO System Startup.....	8
8.3 System Shutdown.....	9
9. Operation precautions.....	9
10. Maintenance and Protection.....	9
11.Common troubleshooting methods	10

1. Brief Introduction

The reverse osmosis (RO) device separates the solvent (usually water) in the solution through the reverse osmosis membrane (or semi permeable membrane) with enough pressure. This process has no phase change, no heating, low energy consumption. It is suitable for all kinds of salt containing raw water, especially in the high salt water treatment project. It can be able to remove bacteria, colloids and large molecular weight organics while desalting, and obtain good technical and economic benefits.

2. Main Technology Parameters

No.	Model	Features	Total Power
1	TCA-7500-RUNOFF	Applicable Voltage 208V	5.1W

Rated working pressure	0.3 MPa / 1.5 MPa
Raw water pressure&flow	≥ 0.15 MPa, ≥11GPM
Outlet water capacity	≥ 5.5GPM
Raw water pump motor power	1.1 KW, 208V 3P 60HZ
High pressure pump motor power	4.0KW, 208V 3P 60HZ

3. Process Flow Chart (See attachment for detailed)

The open&close status of valves and pumps during operation

Item	Filtration	RO Flushing
Feed pump	Open	Open
Feed pump regulating valve	Open	Open
Antiscalant dosing pump	Open	Open
Inlet valve	Open	Open
High pressure pump(HP)	Open	Open
HP inlet regulating valve	Full Open	Full Open
Concentrated regulating valve	Slightly Open	Slightly Open
Concentrated return valve	Slightly Open	Slightly Open
Flushing electric valve	Close	Open
Produced ball valve	Full Open	Full Open

4. Equipment location

- ① The equipment is required to be placed on the flat ground, and there should be more than 50cm channel around the equipment for operation and maintenance.

- ② Do not place the equipment outdoor so as not to accelerate the aging of its mechanical parts.
- ③ Connection pipes should be UPVC or stainless steel to prevent rust contamination.
- ④ Check whether the fixed locking clips and screws are loose.
- ⑤ All switches on the electrical box should be turned off before power on.
- ⑥ Confirm the motor running direction is correct.

5. Equipment Installation

5.1 Loading filter media:

Pour a small amount of water (about 30cm high) into the tanks first before loading the filter media, the height of media in the tanks shall not exceed three quarters of the tanks. Generally, two-thirds of the height is good.

Remark:

- ① When loading quartz sand, fill in the order of large particles to small particles.
- ② When loading the activated carbon tank, please fill with coarse sand first to cover the water distributor in the tank, and then pour in the activated carbon.

5.2 Connect water pipe

- ① Connect the raw water inlet port in front of the feed pump with the water source according to the process flow chart;
- ② The filter tanks discharge port and RO concentrated water outlet are connected to the sewer for direct discharge..
- ③ RO flushing discharge port is connected to the sewer for direct discharge.
- ④ RO Product port connect to product tank.

5.3 Connect the circuit:

- ① Connect the liquid level gauges of raw water tank and RO product tank to the electric control box according to the circuit diagram;
- ② The automatic control valve's wire is connected to the control box according to the control valve manual.
- ③ Connect the main wire of the distribution box to the power supply. For the sake of safety, connect it reliably with the grounding wire at the grounding screw of the electric control box. Then plug the dosing pump and automatic control valve power cord into the socket.

6. Preparation before startup

6.1 Pipeline and electric control connection

Confirm that the equipment has been connected with peripheral equipment (such as water pump, water tank, electric control, etc.) according to the process flow chart first.

6.2 Pipeline Cleaning

Checked that the equipment pipelines are connected correctly, disconnect all the flexible joints that connected to the equipment, and then clean the pipelines to wash them with clear water for 3-5mins until its cleaned.

Please note that the waste water from cleaning the pipe should be discharged directly, which it is not allowed to enter the RO membrane, so as to avoid the damage to membrane module by large particles. And check whether there is water leakage at each connection of the pipeline.

6.3 Filter tanks Cleaning

Full fill the raw water tank first, Turn the "Auto/Stop" knob of the HMI to the Stop state, and fully open the feed pump outlet regulating valve.

Adjust the quartz sand filter control valve to **BACKWASH** state, Then turn the feed pump switch to **Manual mode** and start it, adjust the pre-treatment water inlet pressure to be greater than 0.2MPa.

Only the above actions are completed, the following actions can be carried out!

① Quartz sand filter cleaning

The filter media should be thoroughly cleaned before start. The operation steps are as follows:

● Backwash quartz sand filter:

Adjust the control valve of quartz sand filter to **BACKWASH**, Set the activated carbon filter to **SERVICE**, then perform the backwash for the quartz sand filter for around 10-20mins until the effluent becomes light or colorless.

● Forward wash quartz sand filter:

While completed backwash for quartz sand filter, reset the quartz sand filter control valve to **FAST RINSE**, keep the activated carbon filter to the **SERVICE**, then forward wash the sand filter for around 10-20mins until the effluent becomes light or colorless.

② Activated carbon filter cleaning

Activated carbon filter cleaning steps are as above.

● Activated carbon filter backwash:

Adjust the control valve of activated carbon filter to **BACKWASH**, while adjust the quartz sand filter to the **SERVICE**, then backwash the carbon filter for 10-20mins until the drainage is generally black to light or colorless.

● Activated carbon filter Forward wash:

Reset the control valve of activated carbon filter to “FAST RINSE”. Keep the quartz sand filter to the “SERVICE”. Then forward wash the carbon filter for 10-20mins until the drainage is generally black to light or colorless.

③ Cycle cleaning

When the two filters are all cleaned, turn the "Auto / Stop / Manual" knob on the panel of the electric control box to **stop position**. Stop it for 4-5 hours, and then wash them repeatedly (about 2 days) for several times before formal use.

Note: Only the two pre-treatment filters are all cleaned, they can be adjusted to the **SERVICE** stage to enter the normal operation.

For the adjustment method of the control valve, please refer to the manual of Runxin automatic control valve.

6.4 Antiscalant dosing system

The volume of the dosing tank is 60L, Add 6KG Antiscalant liquid to it, and mix it with water to fill the tank, and then adjust the dosing pump to 20% rate.

If it is necessary to increase the dosage, the concentration of the solution can be slightly adjusted or the injection volume of the dosing pump can be increased appropriately when preparing the chemical solution.

Operation: when fully automatic operation, it will run synchronous with RO making water. Only need to adjust the percentage (1-100%) if the flow needs to be adjusted. 1% is the minimum flow, 100% is the maximum. Generally set the flow between 20- 30%, please refer to the dosing pump operation manual for specific operations.

6.5 Reductant dosing(The main ingredient is sodium bisulfite)

Add 3KG reductant chemical to 60L dosing tank. Fill up with water and mix them well. Adjust the dosing pump to 20% rate.

If need to increase the dosage, the concentration of the solution can be slightly adjusted or the injection volume of the dosing pump can be increased appropriately when preparing the chemical solution.

Operation: It runs synchronous with RO making water when fully automatic, only adjust the percentage (1-100%) if the flow needs to be adjusted, Generally set the flow between 50-60%.

7.RO System Manual Operation

8PCS 4040 RO membrane are installed in a 2-core pressure vessel in a 1-1 arrangement.

7.1 Preparation before system startup

① Confirm that the liquid levels of the antiscalant dosing tank is normal, and the dosing pump is working well;

- ② Check that the water level of the raw water tank can meet the needs of RO start-up.
- ③ Check whether the inlet and outlet valves of booster pump, precision filter and high-pressure pump are all open.
- ④ The meters and pressure gauges should also be checked for normal.
- ⑤ Check the power supply of each pump and the control's, confirm the indicator lights of the electric cabinet are normal.

7.2 RO System Manual Operation

Step 1: Turn all the switches on the HMI to the Stop position.

Step 2: Open water inlet valve and flushing valve, start the feed pump.

Step 3: Fully open concentrated regulating valve and close the flushing valve after 1-2mins.

Step 4: Start the high-pressure pump and the antiscalant dosing pump when the concentrated water flowmeter and concentrated return flowmeter has water flow.

Step 5: Slowly adjust concentrated regulating valve and concentrated return valve until the product water flowmeter reaches 5.5GPM.

Then slowly adjust concentrated return regulating valve until the concentrated flowmeter is 5.5GPM.

The remaining flow is returned to the front of the precision filter through the concentrated return flowmeter (5 GPM).

The recovery rate of RO device should be $\geq 50\%$ at this time, and the system switch to the automatic operation state.

HMI interface parameter settings:

Start flushing: 60~90 S

Produce: 90-120 min

Interval flushing: 60~90S

Downtime flushing: 60-90S

7.3 RO System Manual Shutdown

- ① Stop high pressure pump, then stop the Feed pump.
- ② Stop the water inlet valve . No need to close product manual valve on the system and keep it open. Also, the concentrate regulating valve adjusted, it generally does not need to adjust again to facilitate the next start.

7.4 RO Shutdown for Flushing

Purpose of shutdown for cleaning: When RO system stops running, as the water inside the membrane is already in a concentrated state, it is easy to be contaminated in a static state, so need clean water to rinse the membrane surface to prevent the deposition of pollutants, thus affecting the performance of the membrane

Steps: Open RO flushing valve and inlet valve, start RO feed pump to rinse for 2mins, then stop the pump and close the valves.

8.RO System Auto Operation

8.1 Preparation before automatic startup

- ① Confirm raw water tank liquid level meets the starting requirements. And check the meters are normal.
- ② Check each water pump and dosing pump are normal.
- ③ Check the control mode on the HMI and adjust it to the Stop position, and check whether the indicator light display on the control box and the automatic control valve head status indication are correct;
- ④ Confirm the opening and closing state of each manual valve meets the system automatic start-stop requirements . Generally, The inlet and outlet valve of water tanks and pumps, as well as RO water produced valve should be normally open
- ⑤ The RO concentrated flow regulating valve must be in the correct opening position (this valve generally remain open after being adjusted).

8.2 RO System Startup

- ① Set all control states on HMI to Auto.
- ② When the system runs automatically, check its operating status and parameters are normal on HMI. If there is a fault, it should be eliminated in time .
- ③ After putting all the devices into operation, please check the equipment actual operation conditions. Such as the running states of the pumps, whether the flow, pressure and other parameters of each device meet the technical requirements.
- ④ When the system runs normally, the operation of start-stop and flushing of the system will be carried out automatically according to the liquid level of each water tank. If there is an alarm signal, find out the reason first, press "reset" button after timely processing, so that the system continue to operate automatically. If the problem cannot be dealt with, the system should be stopped for maintenance in time.
- ⑤ The operating parameters and any possible malfunction of the equipment should be

Recorded.

8.3 System Shutdown

- ① The system will be shut down depending on the water level of each water tank (The system shuts down when the water level of raw water tank is low or product water tank full);
- ② It is highly recommended to use the automatic operation mode, because it has an over-pressure protection system, which is conducive to the safe operation for the equipment.

9. Operation precautions

- ① The 208V motor is selected for this equipment. It must be noted that the placement direction of the motor is consistent with the direction marked on the pump, otherwise the motor will be damaged.
- ② In case of water shortage or low pressure, the system will stop automatically and work automatically after water pressure is restored.
- ③ Residual chlorine content of the water entering the membrane should be strictly controlled below 0.1ppm. If the residual chlorine exceeds the standard, the activated carbon filter media in the adsorption filter shall be replaced.
- ④ The pump must not run without water, and the system also can not run without water or air intake.
- ⑤ During operation, if there is any abnormal noise, the system must be stopped immediately to avoid accidents..
- ⑥ Frequently check whether the high pressure pump, feed pump, water cut-off protector and power supply system are in good condition.
- ⑦ When the system is set aside, it shall be started at least once a day (about 1-3 minutes) for a short time to avoid the failure of RO membrane caused by water shortage for a long time. Also the system shall not be placed in the environment of high temperature and subzero temperature.

10. Maintenance and Protection

- ① After the official start-up, the filter media in quartz sand filter and the activated carbon filter need to be backwash and forward washing once a day, generally 10mins and 5mins respectively. Also, The quartz sand and activated carbon media shall be replaced regularly according to the inlet water quality, generally once every 6-12 months.
- ② The pp cartridge in the precision filter generally needs to be replaced after 15-30 days of use. If the high-pressure pump cannot work continuously due to special circumstances, the pp filter needs to be checked and replaced.

③ Regularly cleaning for the RO membrane

11. Common troubleshooting methods

① Feed pump and high-pressure pump do not absorb water

Check whether the feed pump and high-pressure pump are reversed. If the reverse is found, replace two of the three power terminals of the pump. If it is not, open the exhaust valve of the pump to vent or fill with water.

② Feed pump can not start

Please confirm whether the main equipment has access to power and the thread ends are loose or fall off. Whether the relay pull-on or not. And whether the water shortage protection switch of the raw water tank is disconnected.

③ High pressure pump can not start

Please Check whether the relay connected with the high-pressure pump is pull-on, are the wire heads at the connecting bolt loosed and fallen off. In order to prevent the high-pressure pump from idling and damaging, the water cut-off low-pressure protection switch is used to cut off the power supply, thereby protecting the high-pressure pump. If sufficient water supply is provided to make the pressure of the low-pressure protection switch reaches the set, the high-pressure pump will be able to start.

④ Regulation of membrane working pressure

The check valves of product flowmeter and concentrated flowmeters control the total water outlet capacity and water production recovery rate (this recovery rate is about 60%). When outlet water decreases, the membrane working pressure will be increased. Also, the water regulating valves at the inlet and outlet of the high-pressure pump is used to adjust membrane working pressure. Max. membrane working pressure is 1.0Mpa, Overpressured water can quickly damage pumps and motors.

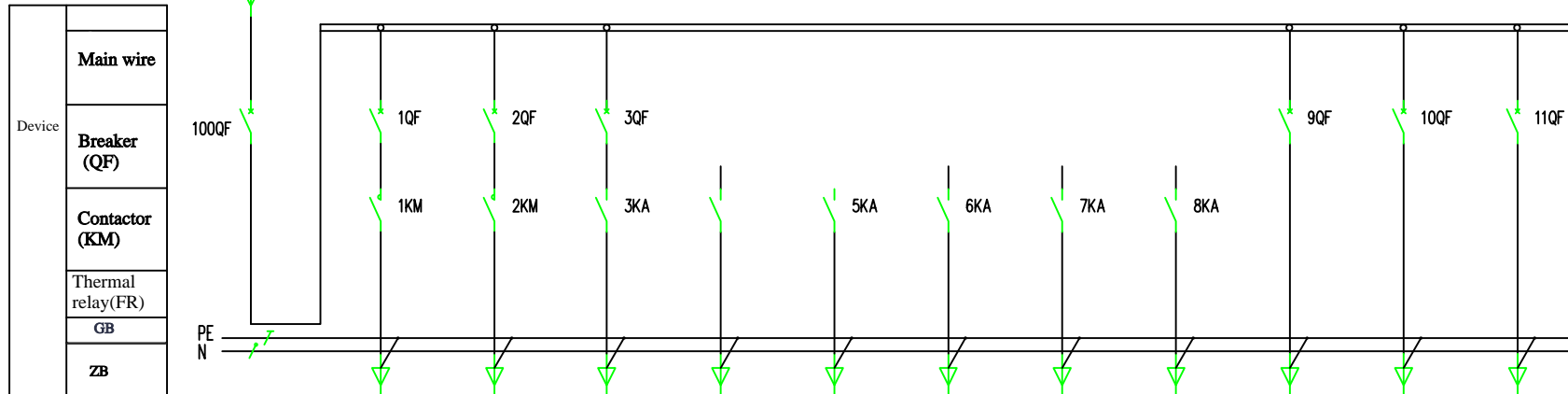
⑤ Abnormal sound from high pressure pump

Check whether the high-pressure pump is idling. Sometimes, the high-pressure pump will make some abnormal noise when the water is not completely entering, and it will disappear automatically in 1-3mins. If it does not disappear after 3mins, open the exhaust valve of the high-pressure pump to vent or inject water.

⑥ Fine white or black suspended particles appear in the purified water

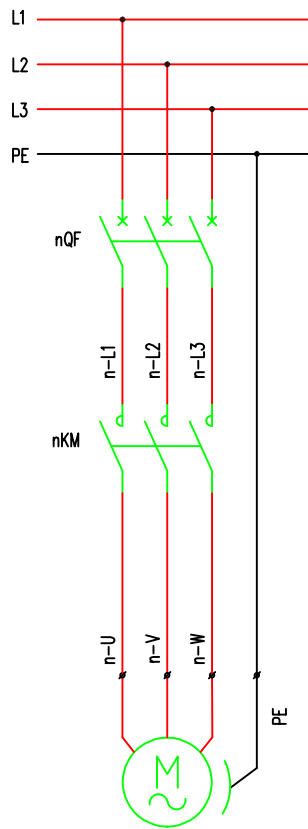
This is because the pipeline is polluted, causing bacteria to grow. The membrane needs to be chemically cleaned. If the equipment equipped with pipeline sterilizer also need to turn on in time to sterilize.

Power supply wire

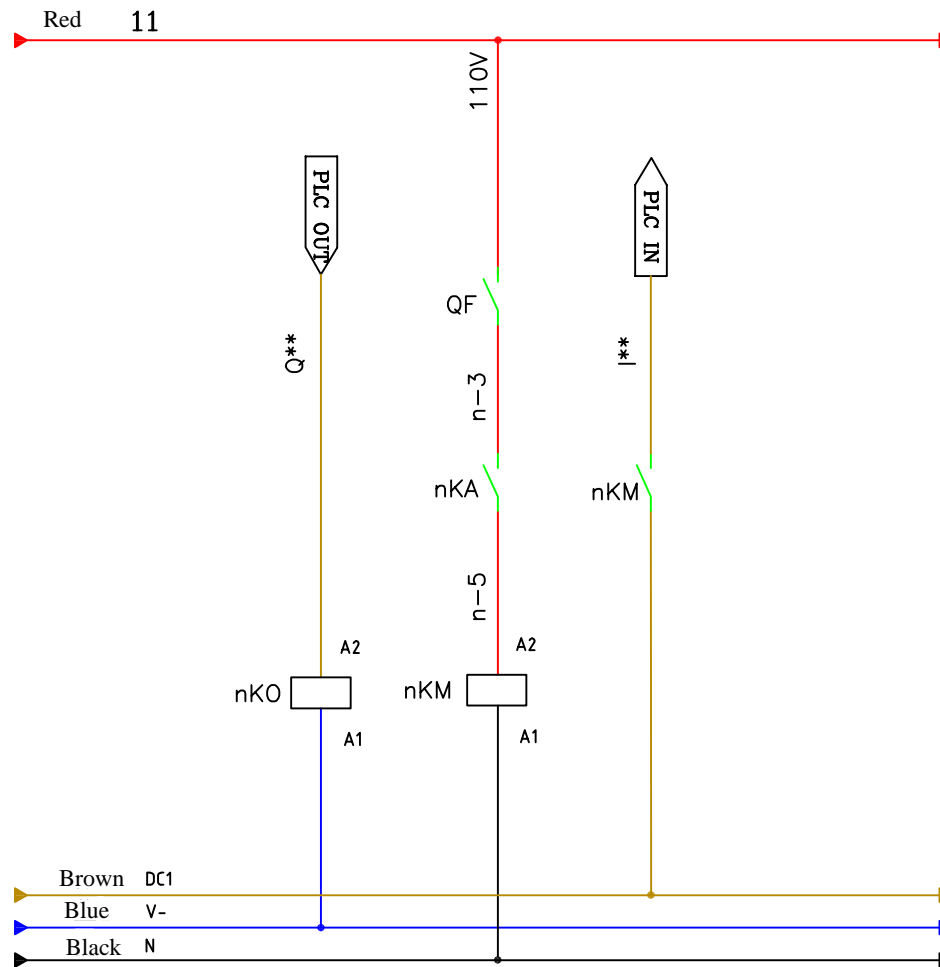


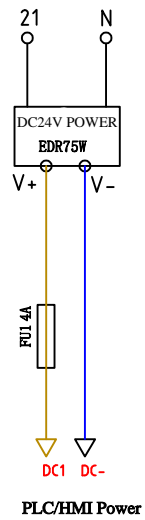
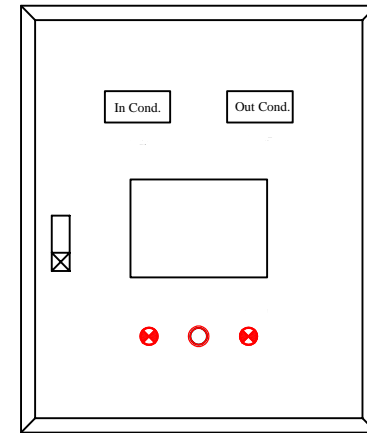
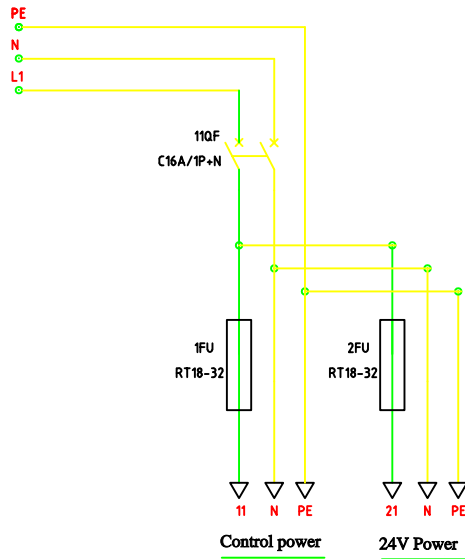
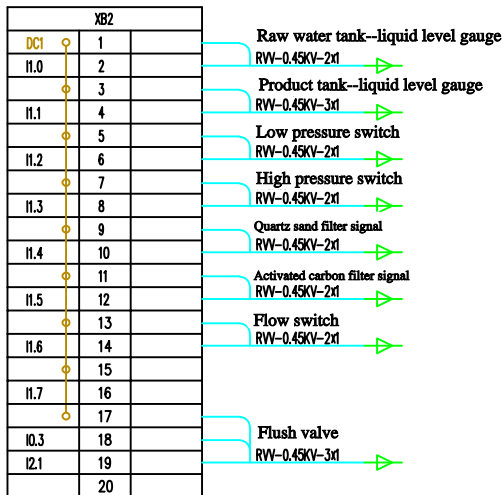
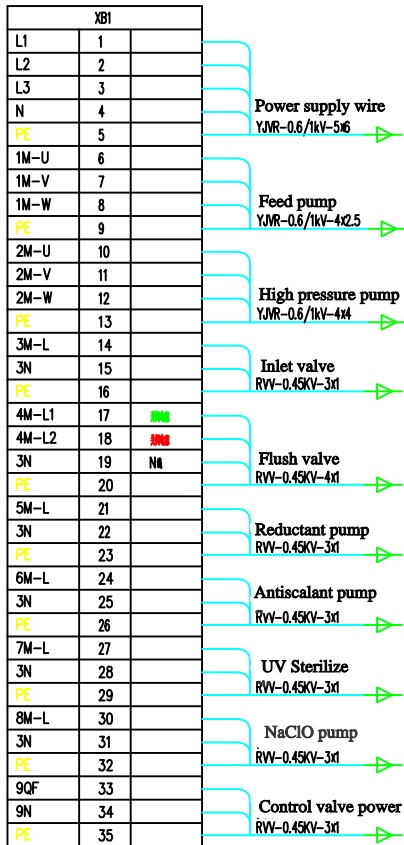
Device No.			Feed pump	High pressure pump	Inlet valve	Flush valve	Reductant pump	Antiscalant pump	UV Sterilize	NaClO pump	Control valve head	Conductivity	Control power
Device Name			5.5	1.1	4	40W	40W	40W	40W	40W			
Power KW			15	3.7	13.8	1Phase	1Phase	1Phase	1Phase				
Current A													
Main device	Breaker(QF)	C32A/3P	GV2ME10C 4-6.3A	GV2ME20C 13-18	C16A/IP+N						C16A/IP+N	C16A/IP+N	C16A/IP+N
	Contactor(KM)		LC1D09M7C	LC1D18M7C	RXM2LB	RXM2LB	RXM2LB	RXM2LB	RXM2LB	RXM2LB			
	Thermal relay (FR)												
Speed control	VFD												
	Soft start												
Wires	Wire model	YJVR-0.1KV-5x6	YJVR-0.6/1KV-4x2.5	YJVR-0.6/1KV-4x4	RVV-0.45KV-3x1	RVV-0.45KV-4x1	RVV-0.45KV-3x1	RVV-0.45KV-3x1	RVV-0.45KV-3x1	RVV-0.45KV-3x1	RVV-0.45KV-3x1	RVV-0.45KV-3x1	RVV-0.45KV-3x1
	Laying method												
	Wire No.												

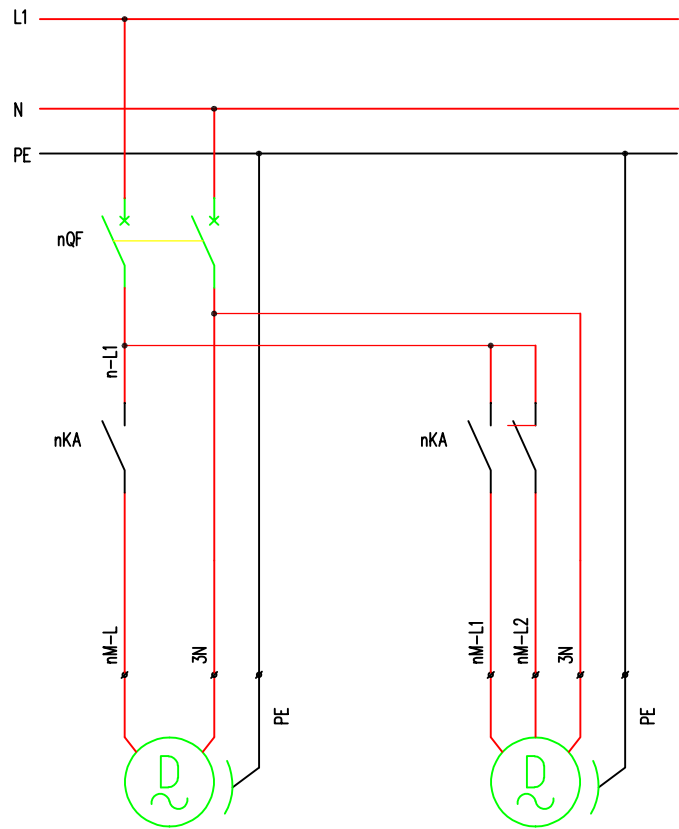
600x500x200(HxWxD)



Motor Control Principle

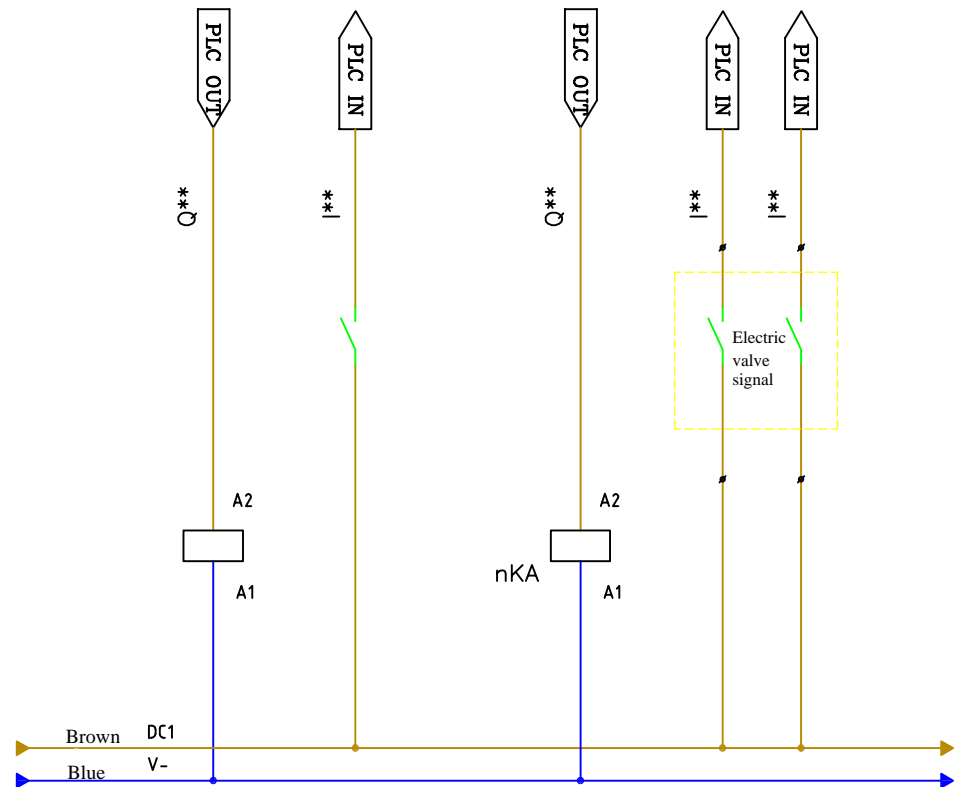






Solenoid / Dosing pump valve Control Principle

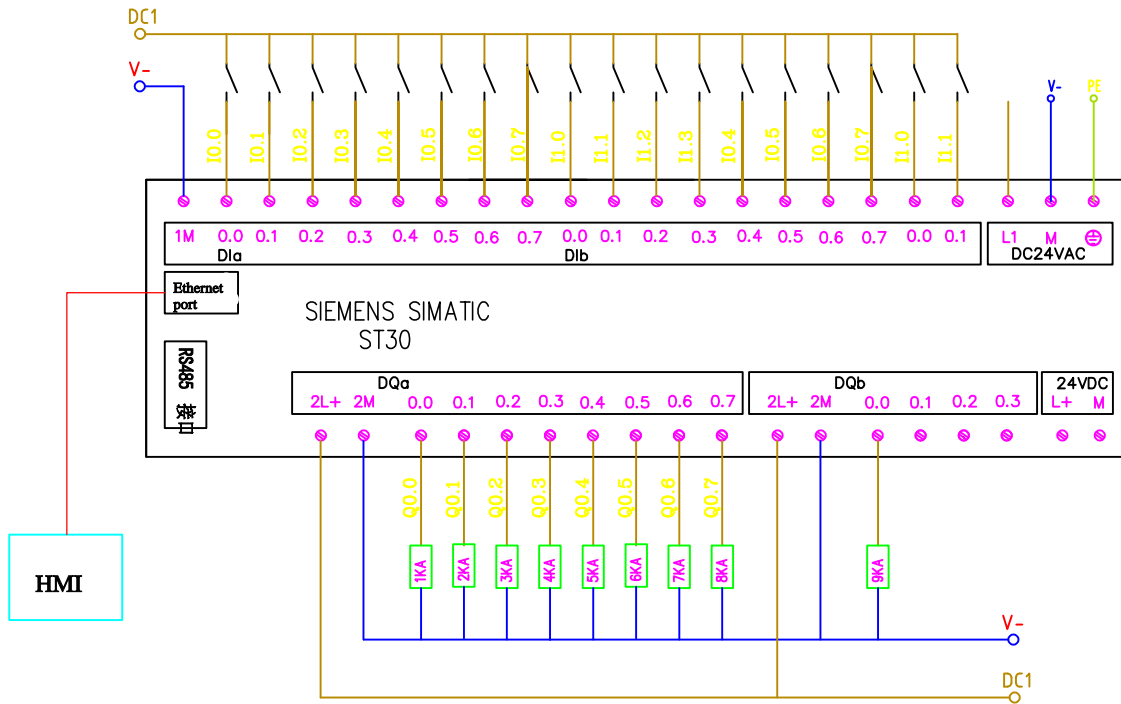
Electric valve control principle



I0.0	Feed pump	Run
I0.1	High pressure pump	Run
I0.2	Inlet valve	Run
I0.3	Flush valve	Open
I0.4	Reductant pump	Run
I0.5	Antiscalant pump	Run
I0.6	UV Sterilize	Run
I0.7	NaClO pump	Run

I1.0	Raw water tank-liquid level gauge	Low
I1.1	Product tank-liquid level gauge	High
I1.2	Low pressure switch	Switch
I1.3	High pressure switch	Switch
I1.4	Quartz sand filter-signal	Switch
I1.5	Activated carbon filter-signal	Switch
I1.6	Flow switch	Switch
I1.7	Standby	Switch

I2.0	Emergency Stop	Switch
I2.1	Flush valve	Close



Q0.0	Feed pump	Control
Q0.1	High pressure pump	Control
Q0.2	Inlet valve	Control
Q0.3	Flush valve	Control
Q0.4	Reductant pump	Control
Q0.5	Antiscalant pump	Control
Q0.6	UV Sterilize	Control
Q0.7	NaClO pump	Control

Q1.0	Fault Alarm	Control
Q1.1		Control
Q1.2		Control
Q1.3		Control